

Chrysler Pacifica or Voyager Quiet Ride®

CONVERSION: **QUIET RIDE**

CUT: **CENTER**

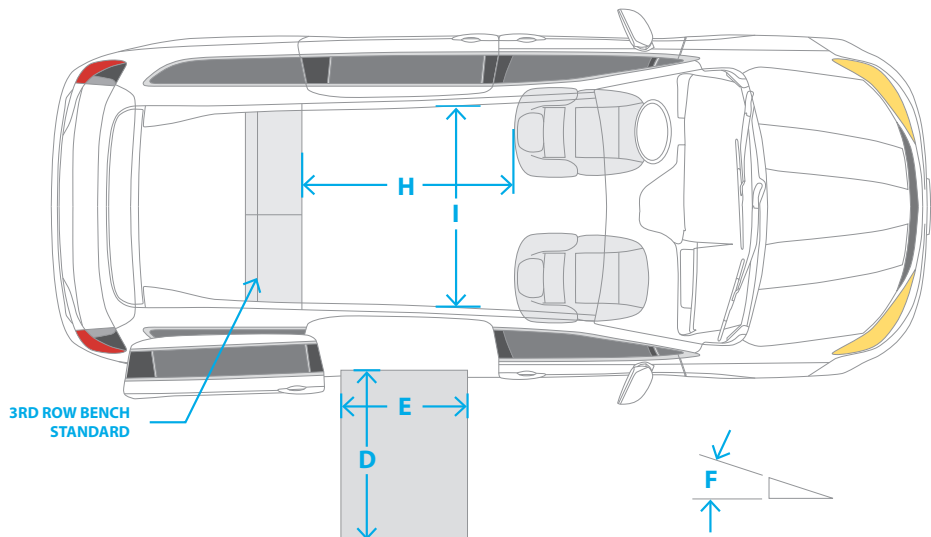
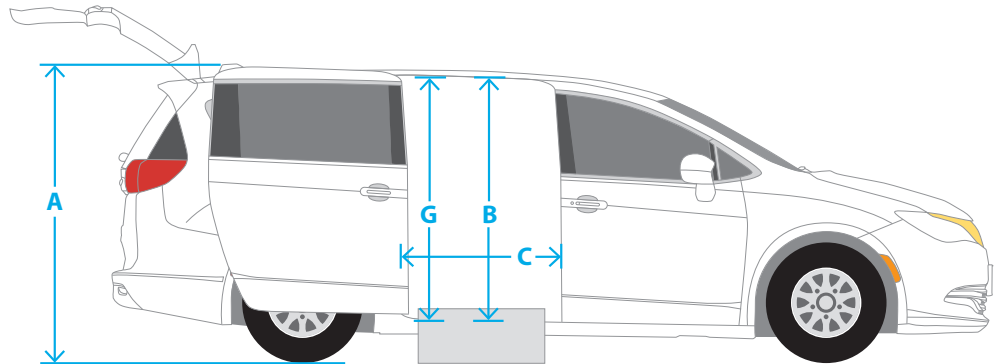
ENTRY: **SIDE**

RAMP DEPLOYMENT: **POWER**



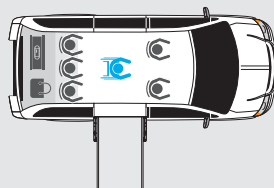
Dimensions & Specifications

DIMENSIONS	
A Overall van height w/o luggage rack	75"
Door Opening	
B Usable Height	53.4"
C Usable Width	31"
Interior Information	
G Height at Center of Van	57.3"
H Lowered Floor Length (flat area)	55.5"
I Lowered Floor Width	48.5"
Removable Front Row Seats	No
Ramp Information	
Fold-Out / In-Floor	Fold-out
Power / Manual	Power
Weight Capacity	800 lbs.
Full / Half Cut	Half
D Length	62.75"
E Width	29.5"
F Angle	10°
Kneeling System	No

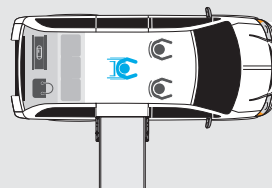


CREATE THE SPACE YOU NEED IN SECONDS.

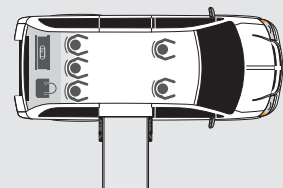
Transports up to six people, including one wheelchair passenger.



**5 Passengers
+ 1 Wheelchair User**



**2 Passengers
+ 1 Wheelchair User**



5 Passengers



855.337.9543
www.driverge.com

07/2024